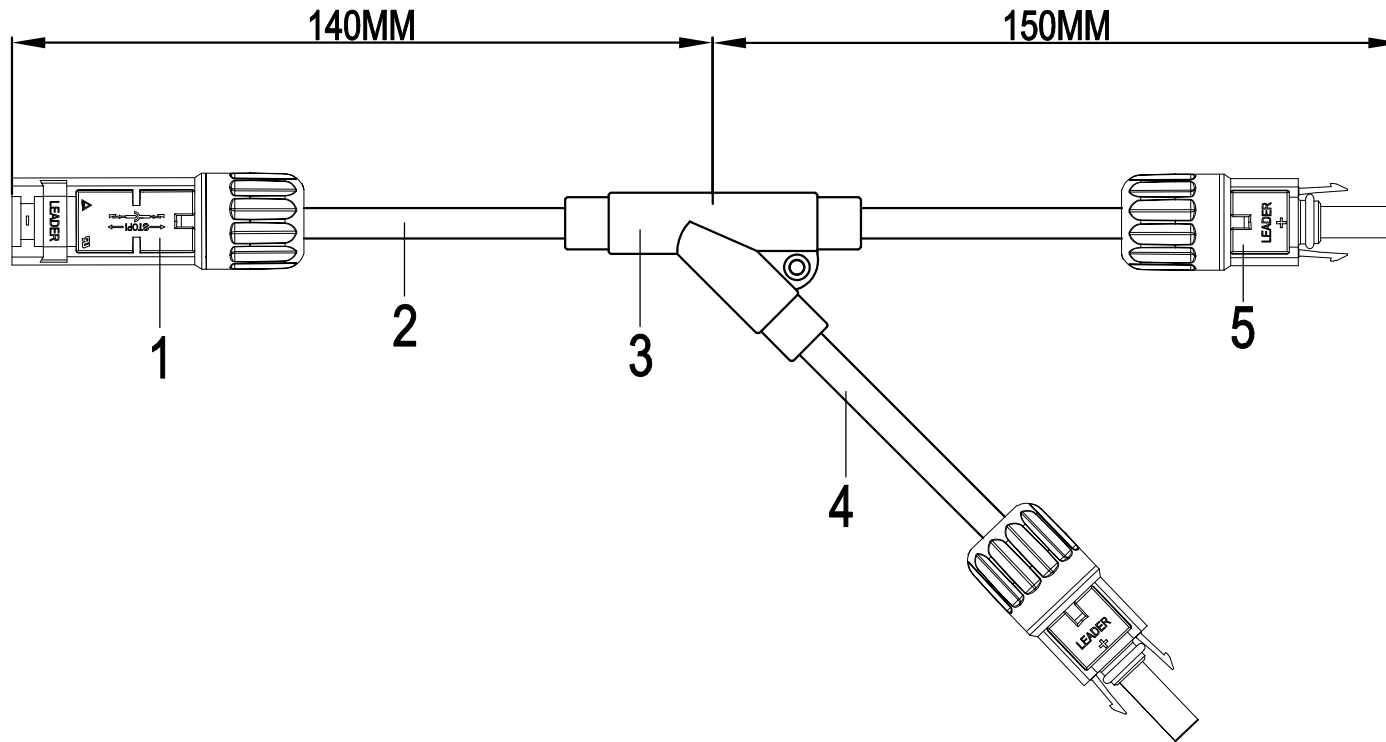


5	Male Connector	2	Black	PPO
4	4.0MM ² Cable	2	Black	L=65mm
3	2in1 Molding	1	Black	PPO
2	6.0MM ² Cable	1	Black	L=65mm
1	Female Connector	1	White	PPO
No.	Product Name	QTY	Colour	Material

Note: Unit(mm)

Dimension	Tolerance	LEADER TECHNOLOGY (SHENZHEN) CO.,LTMITED		
30.00~60.00	±0.05	APVD: Mike	NAME: 2 IN 1 Branch Connector	
60.00~90.00	±0.05		PRODUCT NUMBER: SY-BY21-AB-15-F	
90.00~120.00	±0.05	CHK: Joe	UNITS: MM	
120.00~	±0.05		SIZE: A4	
Angle		DWN: Brandon	SCALE:	SHEET BLATT: 1 OF 1
0~60°	±0.05			REV: A
60°~	±0.05			



5	Female Connector	2	Black	PPO
4	4.0MM ² Cable	2	Black	L=65mm
3	2in1 Molding	1	Black	PPO
2	6.0MM ² Cable	1	Black	L=65mm
1	Male Connector	1	White	PPO
No.	Product Name	QTY	Colour	Material

Note: Unit(mm)

Dimension	Tolerance	LEADER TECHNOLOGY (SHENZHEN) CO.,LTMITED													
30.00~60.00	±0.05	APVD: Mike	NAME:												
60.00~90.00	±0.05		2 IN 1 Branch Connector												
90.00~120.00	±0.05		PRODUCT NUMBER:												
120.00~	±0.05		SY-BY21-AB-15-M												
Angle		CHK: Joe	DWN: Brandon												
0~60°	±0.05	<table border="1"> <tr> <td>Units:</td> <td>Size:</td> <td>SCALE:</td> <td>SHEET BLATT:</td> <td>REV:</td> </tr> <tr> <td>MM</td> <td>A4</td> <td>/</td> <td>1 OF 1</td> <td>A</td> </tr> </table>				Units:	Size:	SCALE:	SHEET BLATT:	REV:	MM	A4	/	1 OF 1	A
Units:	Size:					SCALE:	SHEET BLATT:	REV:							
MM	A4	/	1 OF 1	A											
60°~	±0.05														