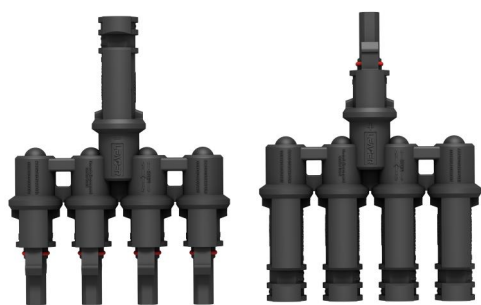


## SY-BB41 Series



IEC 1500V  
UL 1500V



UL: 6703  
IEC: 62852



-40°C~85°C



UL94-V0



IP 68



UV Resistance



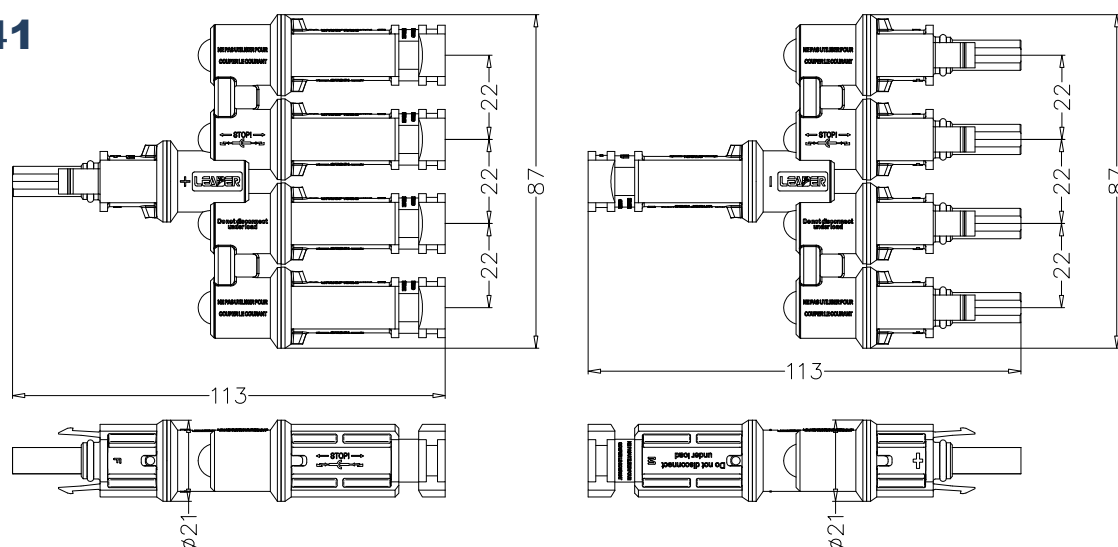
## Product Overview

SY-BB41 Series Branch connectors use high quality weather resistance materials that guarantee long-term reliability. SY-BB41 could match SY-BB41 series branch connectors, it could be wildly used in different applications. The lower contact resistance and higher current transfer capability ensure high product efficiency. SY-BB41 Series connectors have IP68 water-proof rating and can be used in a wide operating temperature range from -40°C to 85°C.

## Technical Data:

Rated Voltage	IEC 1500V
Certification	IEC 62852
Rated Current	Output Current: Max 50A
Ambient	-40 °C up to +85°C
Contact Resistance	≤0.25mΩ
Pollution Degree	Class II
Protection Degree	Class II
Fire Resistance	UL94-V0
Rated Impulse Voltage	16KV

## SY-BB41



### Remark:

1,SY-BB41 connectors use high quality materials. They have IP68 protection grade, using flame retardant,anti hydrolytic,UV resistant polymer insulation material, to ensure long-term safety in outdoor exposed environment.

2,Customized options available, for more information, please contact LEADER sales team: [info@leadergroup-cn.com](mailto:info@leadergroup-cn.com)

