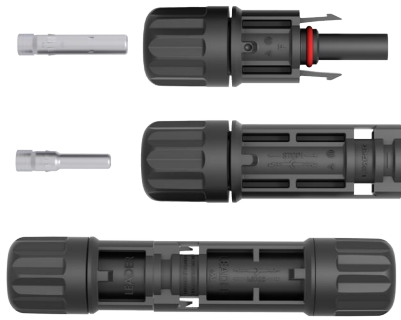


## PV-BN101A Solar Connector



IEC 1500V  
UL 1500V



UL: 6703  
IEC: 62852



-40°C~85°C



UL94-V0



IP 68



UV Resistance

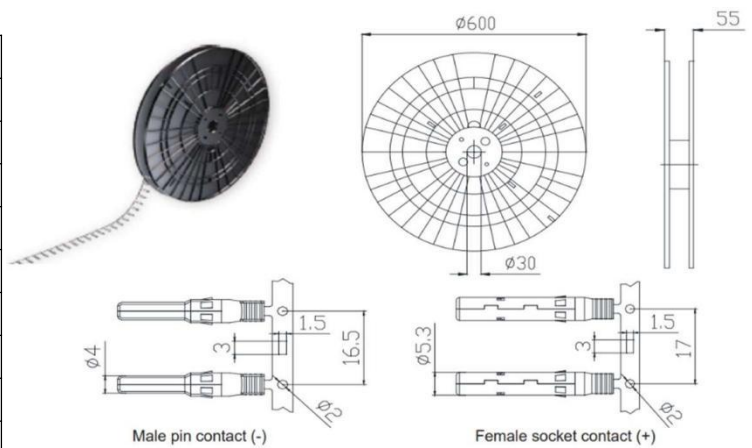


## Product Overview

PV-BN101A connectors use high quality materials that guarantee long-term reliability. Lower contact resistance and higher current transfer capability ensure high product efficiency. PV-BN101A connectors have IP68 water-proof rating and can be used in a wide operating temperature range from -40 °C to 85°C.

## Technical Data

Rated Voltage	IEC 1500V/UL1500V
Certification	IEC 62852; UL 6703
Rated Current	35A/40A
Ambient temperature	-40°C up to +85°C
Contact Resistance	≤0.25mΩ
Pollution Degree	Class II
Protection Degree	Class II
Fire Resistance	UL94-V0
Rated Impulse Voltage	16KV
Locking System	NEC Locking Type

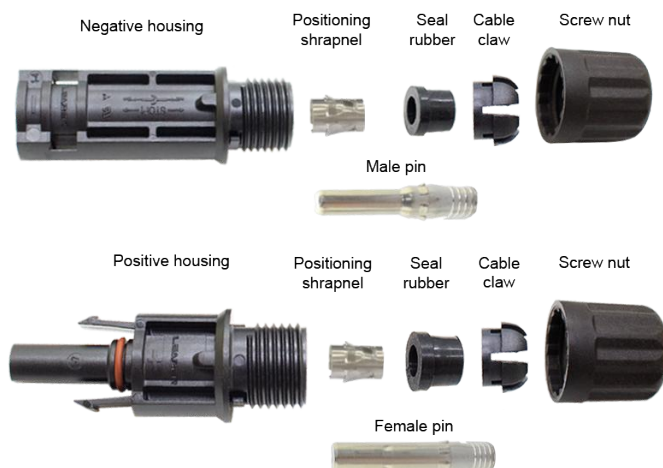
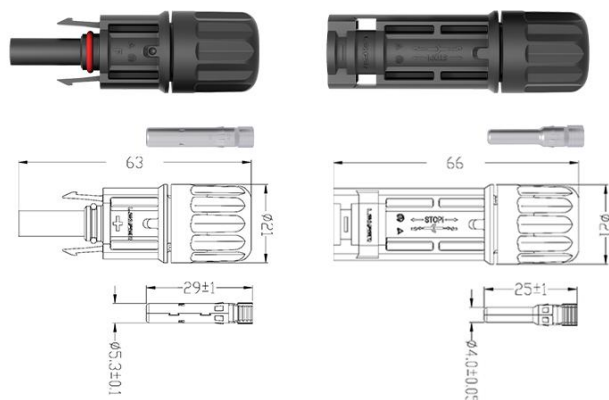


## Order Data

Part No.	Cable OD Range/mm	Cable Cross Section	Standard Package Unit	Description
PV-BN101A-F1	4.7mm~6.0mm	2.5mm <sup>2</sup> /4mm <sup>2</sup> 14AWG/12AWG	500 pairs / Carton	Full Pairs
PV-BN101A-F1-MH			500 pcs / package	F2 Male Housing
PV-BN101A-F1-FH			500 pcs / package	F2 Female Housing
PV-BN101A-MT			500 pcs / package or 2500 pcs / Reel	Male terminal
PV-BN101A-FT			500 pcs / package or 2500 pcs / Reel	Female terminal
PV-BN101A-F2	5.6mm~6.9mm	4mm <sup>2</sup> /6mm <sup>2</sup> 12AWG/10AWG	500 pairs / Carton	Full Pairs
PV-BN101A-F2-MH			500 pcs / package	F2 Male Housing
PV-BN101A-F2-FH			500 pcs / package	F2 Female Housing
PV-BN101A-MT			500 pcs / package or 2500 pcs / Reel	Male terminal
PV-BN101A-FT			500 pcs / package or 2500 pcs / Reel	Female terminal
PV-BN101A-F6	6.9mm~8.7mm	10mm <sup>2</sup> 8AWG	500 pairs / Carton	Full Pairs
PV-BN101A-F6-MH			500 pcs / package	F6 Male Housing
PV-BN101A-F6-FH			500 pcs / package	F6 Female Housing
PV-BN101A-MT-10			500 pcs / package or 2500 pcs / Reel	Male terminal
PV-BN101A-FT-10			500 pcs / package or 2500 pcs / Reel	Female terminal



## PV-BN101A Solar Connector



How to Order solar cable connector (please choose one code per position, below)



SCC	Cable Cross Section	Cable OD	Terminals Package	MPQ Housing Package	Variations
<b>Solar Cable Connector</b>	<input type="checkbox"/> 2.5m <sup>2</sup> (14Awg)	<input type="checkbox"/> <b>F1:</b> 4.7~6.0mm	<input type="checkbox"/> <b>R:</b> Roll	<input type="checkbox"/> 500 pairs/package	<input type="checkbox"/> _____
	<input type="checkbox"/> 4-6mm <sup>2</sup> (12Awg-10AWG)	<input type="checkbox"/> <b>F2:</b> 5.6~6.9mm	<input type="checkbox"/> <b>P:</b> Bulk	<input type="checkbox"/> 50 pairs/package	
	<input type="checkbox"/> 10mm <sup>2</sup> (8Awg)	<input type="checkbox"/> <b>F6:</b> 6.9~8.5mm	<input type="checkbox"/> _____	<input type="checkbox"/> 5 pairs/package	
	<input type="checkbox"/> _____	<input type="checkbox"/> _____		<input type="checkbox"/> 1 pairs/package	
	<input type="checkbox"/> _____			<input type="checkbox"/> _____	

\* Customized options available, for more information, please contact LEADER GROUP sales team: [info@leadergroup-cn.com](mailto:info@leadergroup-cn.com)

### Example:

SCC-6mm-F2-B-500 means the Solar cable connector will match 6mm<sup>2</sup> cable with 5.6~6.9 OD. The terminals will be packaged with plastic housing together. 500 plastic housing will be packaged in one package.

### Standard Package Info:



Carton Dimension (cm)	Pack list	QTY	Gross Weight (kg)
<b>59cm X 39cm X 20cm</b>	<b>Male Housing</b>	<b>500 pcs</b>	<b>15kg</b>
	<b>Female Housing</b>	<b>500 pcs</b>	
	<b>Male terminal</b>	<b>500 pcs</b>	
	<b>Female terminal</b>	<b>500 pcs</b>	
<b>Remark: 500 pairs in one carton package</b>			

